

Installation Instructions

I-Sheet Number 10712 Rev.B

LUND®

CBT Storage Bins

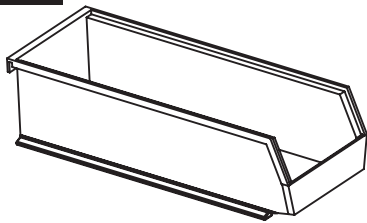
For proper installation and best possible fit, please read all instructions BEFORE you begin.
For technical assistance or to obtain missing parts, please call Customer Relations at 1-800-241-7219.

Important Safety Information



CAUTION • When using power tools, read and understand all operating instructions.

Contents



5 1/2" Bin Kit

X 4

4" Bin Kit

X 5

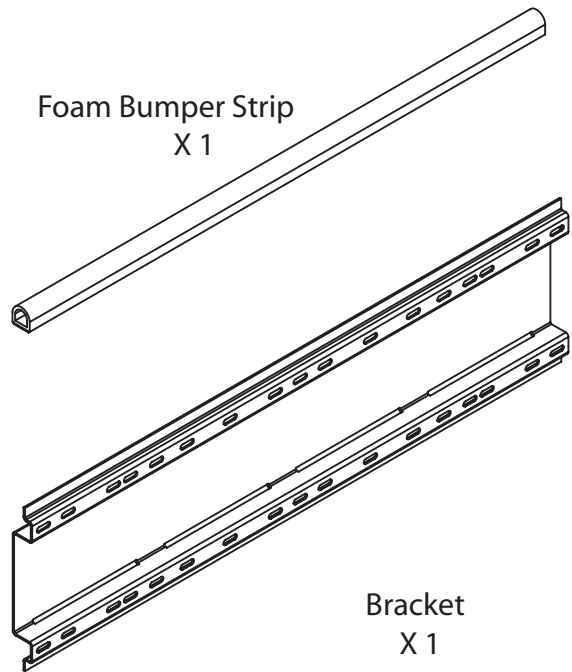


X 3



X 3

Foam Bumper Strip
X 1

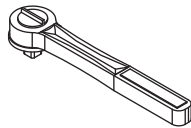


Bracket
X 1

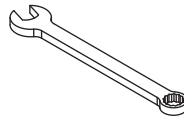
Tools Required



Safety Glasses



Ratchet



3/8" Wrench

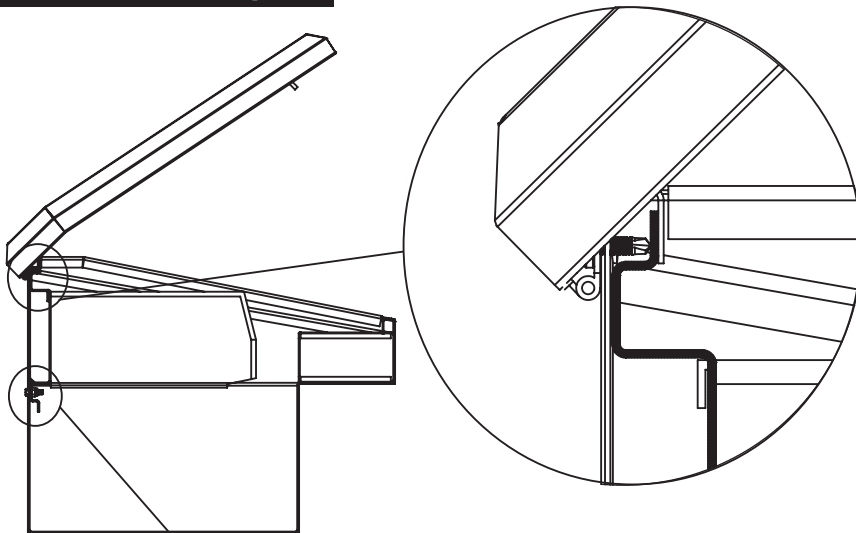


3/8" Socket

Preparation Before Installation

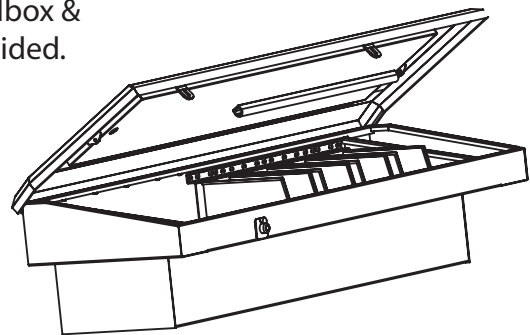
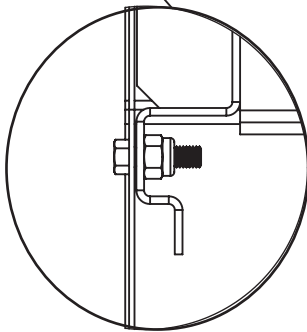
1. Park your vehicle in a clean, level location. Check to make sure the vehicle is in park, or for manual drive models, place the transmission in first gear. Engage the parking brake.
2. Unpack the bracket kit and identify the parts according to the content descriptions above.

Installation Steps



1: Insert bracket into top channel at desired location on top of toolbox between screw and inside bend, if using 5.5" bins install bracket with the 4 slots on top if using 4" bins install the bracket with the 5 slots on the top.

2: Line bracket up with holes in toolbox & bolt together with fasteners provided.



3: Install foam bumper strip on the interior pan 6" back from the front edge and over the top of the bins. Wipe pan clean before installing.

Congratulations!

You have purchased one of the many quality Lund® branded products offered by Lund International, Inc. We take the utmost pride in our products and want you to enjoy years of satisfaction from your investment. We have made every effort to ensure that your product is top quality in terms of fit, durability, finish, and ease of installation.

LUND®

Lund International

800-241-7219 • Visit us at lundinternational.com

© 2012 Lund International, Inc. All rights reserved.

Lund® and the Lund® logo are trademarks of Lund International, Inc.

