

Installation Instructions

I-Sheet Number 10713 Rev.B

LUND®

CBT Divider

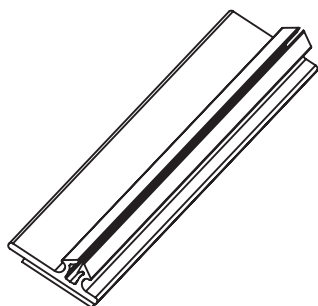
For proper installation and best possible fit, please read all instructions BEFORE you begin.
For technical assistance or to obtain missing parts, please call Customer Relations at 1-800-241-7219.

Important Safety Information



CAUTION • When using power tools, read and understand all operating instructions.

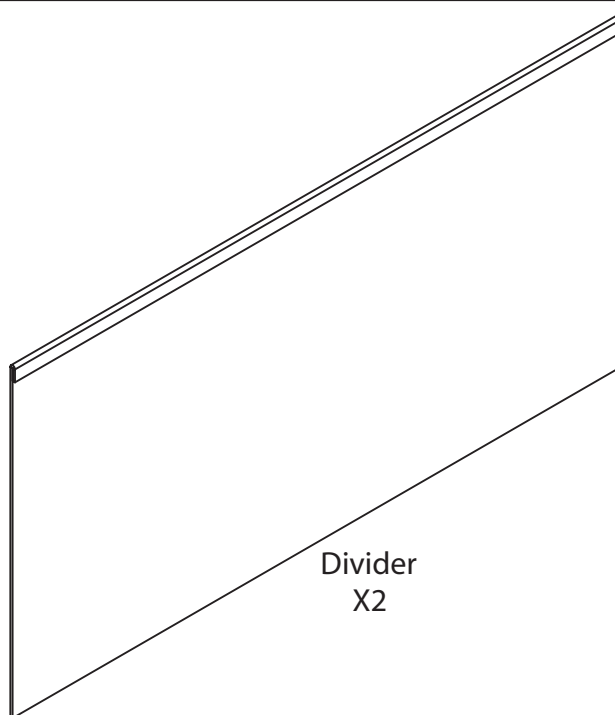
Contents



Extrusion
X4



Alcohol Wipe
X 2

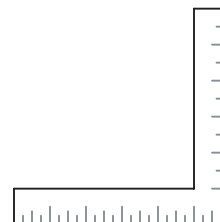


Divider
X2

Tools Required



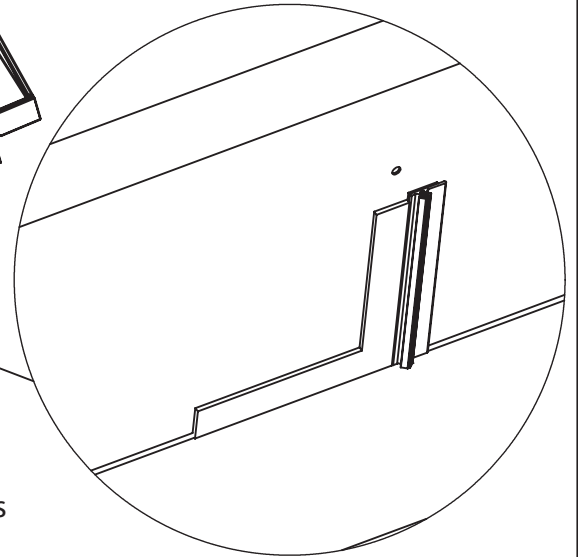
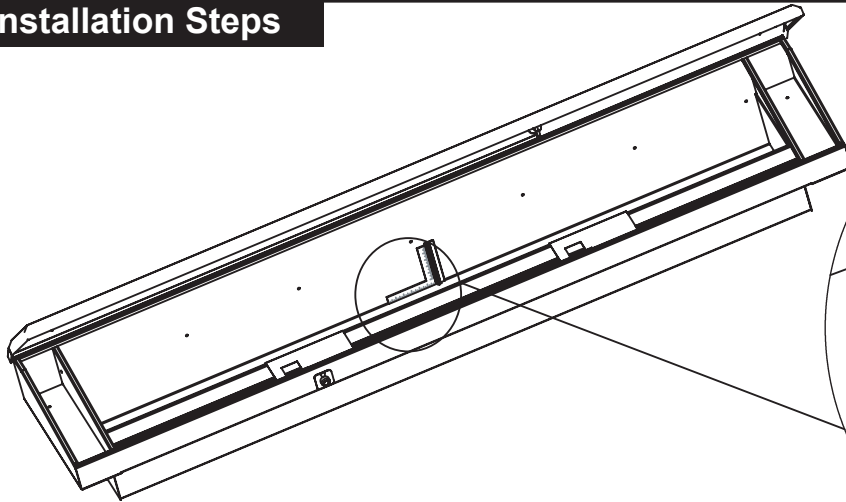
Safety Glasses



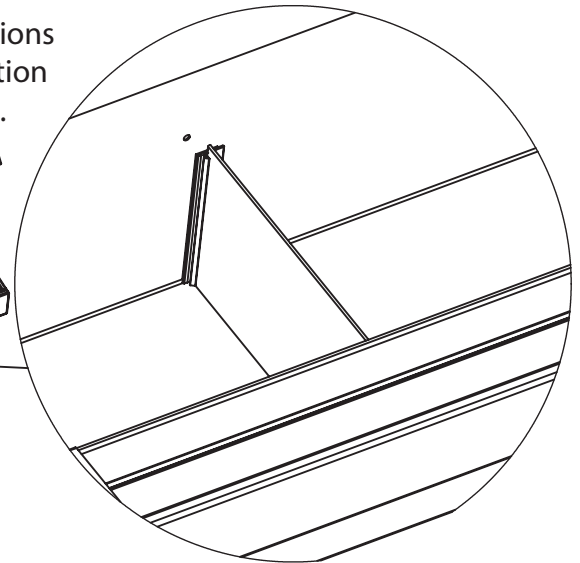
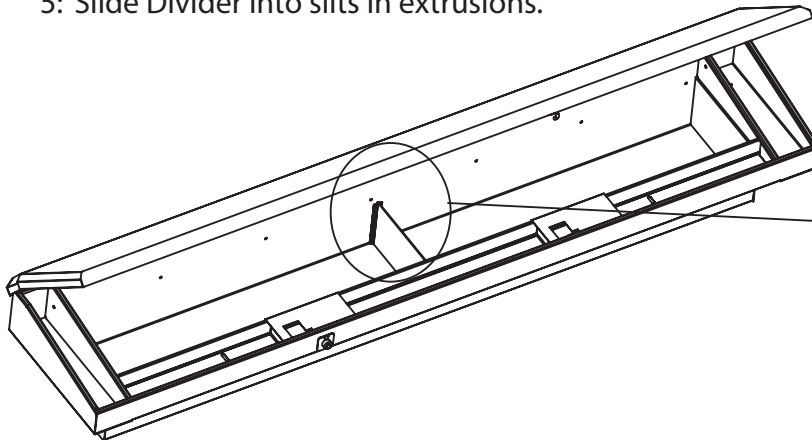
Preparation Before Installation

1. Park your vehicle in a clean, level location. Check to make sure the vehicle is in park, or for manual drive models, place the transmission in first gear. Engage the parking brake.
2. Unpack the bracket kit and identify the parts according to the content descriptions above.

Installation Steps



- 1: Determine desired location for divider.
- 2: Wipe toolbox with Alcohol Wipe where plastic extrusions will be attached.
- 3: Remove backer from tape on back of extrusion.
- 4: Use a square to keep extrusion vertical and press extrusions into place. Note: Extrusion is not symmetrical pay attention to long and short legs when installing second extrusion.
- 5: Slide Divider into slits in extrusions.



Congratulations!

You have purchased one of the many quality Lund® branded products offered by Lund International, Inc. We take the utmost pride in our products and want you to enjoy years of satisfaction from your investment. We have made every effort to ensure that your product is top quality in terms of fit, durability, finish, and ease of installation.

LUND®

Lund International

800-241-7219 • Visit us at lundinternational.com

© 2012 Lund International, Inc. All rights reserved.

Lund® and the Lund® logo are trademarks of Lund International, Inc.

