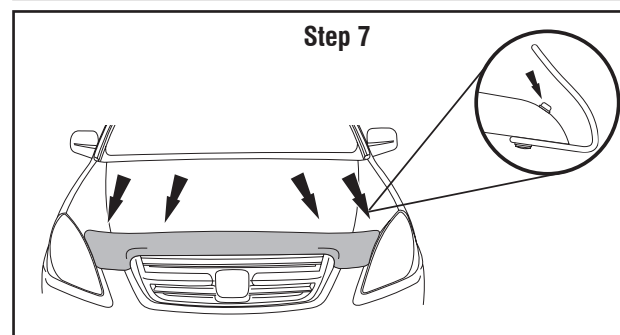
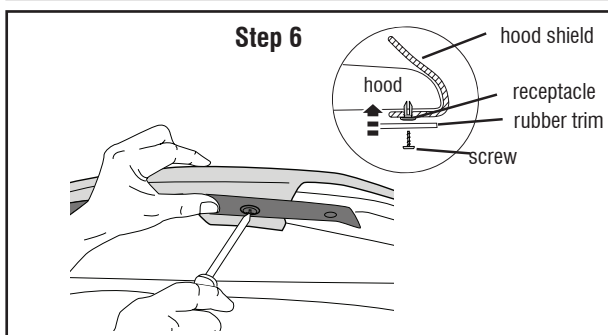
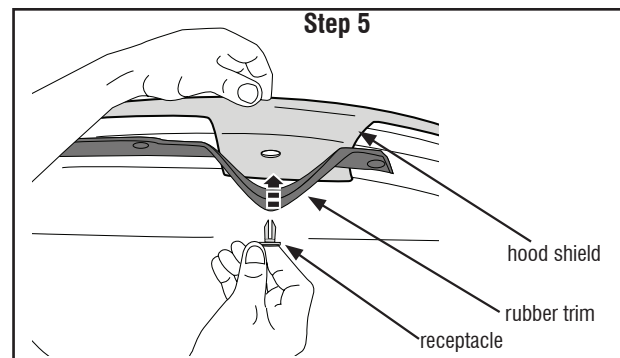
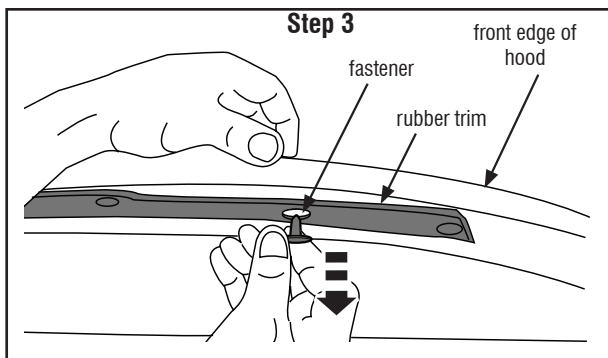
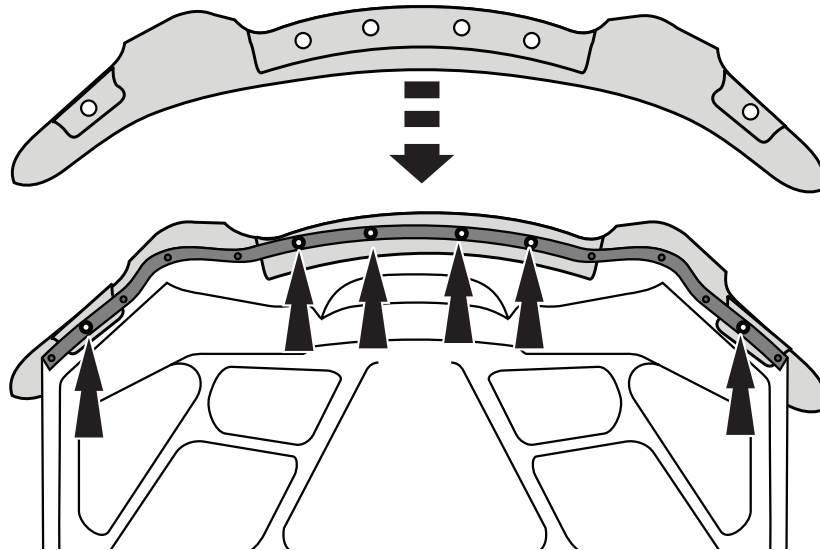


1. Raise hood and clean the leading edge thoroughly, and allow to dry.
2. Test fit hood shield by centering it on the hood edge. Note where the mounting holes in the hood shield flange will be and mark with a grease pencil.
3. Remove the corresponding fasteners from the rubber trim piece. This is necessary in order for the hood shield flanges to slide **under** the rubber trim piece. **NOTE:** It may be necessary to remove additional fasteners in order to accommodate the flange, depending on size. (See detail below.)
4. Position the hood shield with the flanges sliding **between** the hood and rubber seal. Align holes.
5. Insert (6) receptacles **UNDER** rubber trim and through hood shield, and then into hood. (See detail below.)
6. Insert (6) screws through rubber trim and into receptacles and apply pressure while tightening screw to secure to hood. (See detail below.)
7. Lower hood, adjust hood bumper stops to ensure hood shield clears grille and headlights. Install bump ons at pre-cleaned locations on the painted hood/fender surface. (See detail below.)



**IMPORTANT:** Before driving, ensure the hood shield is properly secured to vehicle. Clean with a **SOFT** cloth and soap and water **ONLY!** Using abrasive cleaners, chemicals, or solvents will **VOID** the warranty on this product.