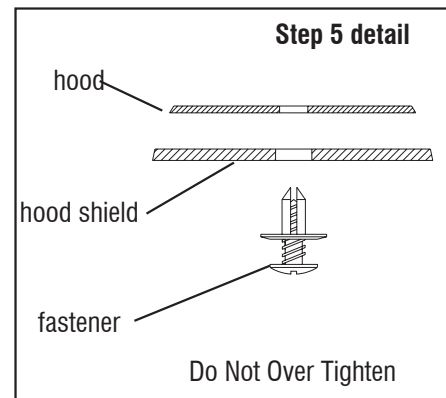
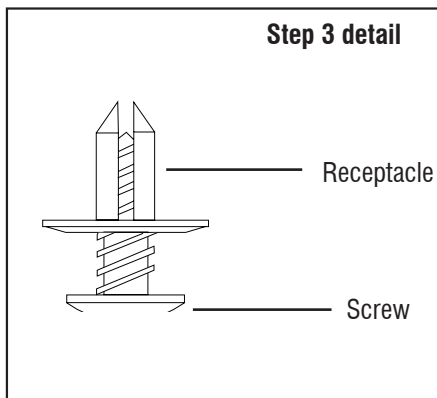
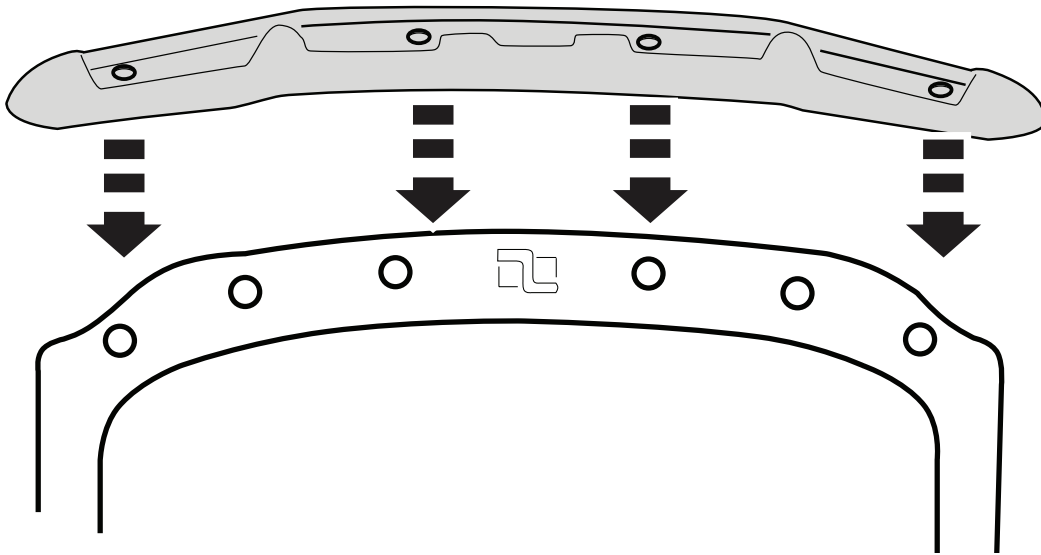


1. Raise hood.
2. Locate 4 holes on underside of hood that align with the holes in hood shield and clean to remove any dust or debris.
3. Insert screw into receptacle and rotate (2) turns. (See detail below.)
4. Align holes in hood shield with holes in underside of hood and position in place.
5. Install fasteners by either pushing or screwing. (See detail below.)
6. Close hood.
7. Install (4) bumpons on painted hood/fender surface.



IMPORTANT: Before driving, ensure the hood shield is properly secured to vehicle. Clean with a **SOFT** cloth and soap and water **ONLY!** Using abrasive cleaners, chemicals, or solvents will **VOID** the warranty on this product.