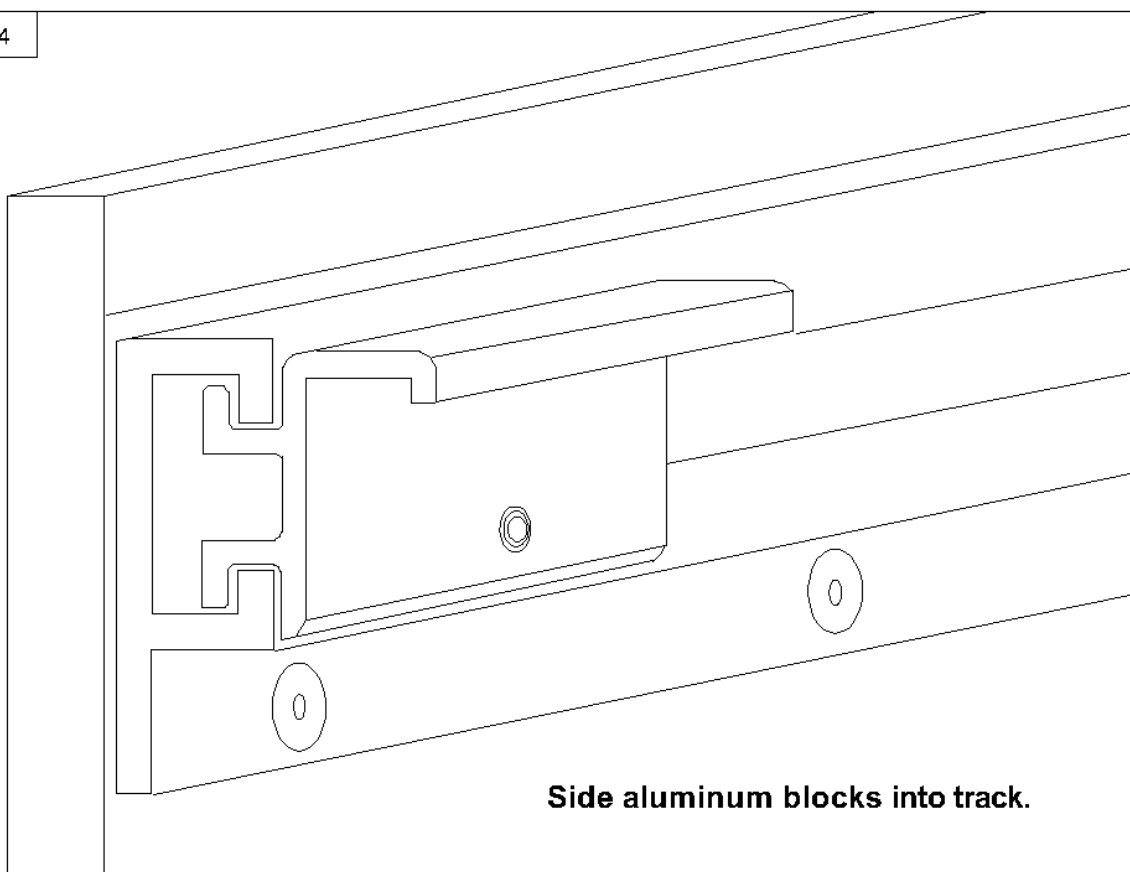
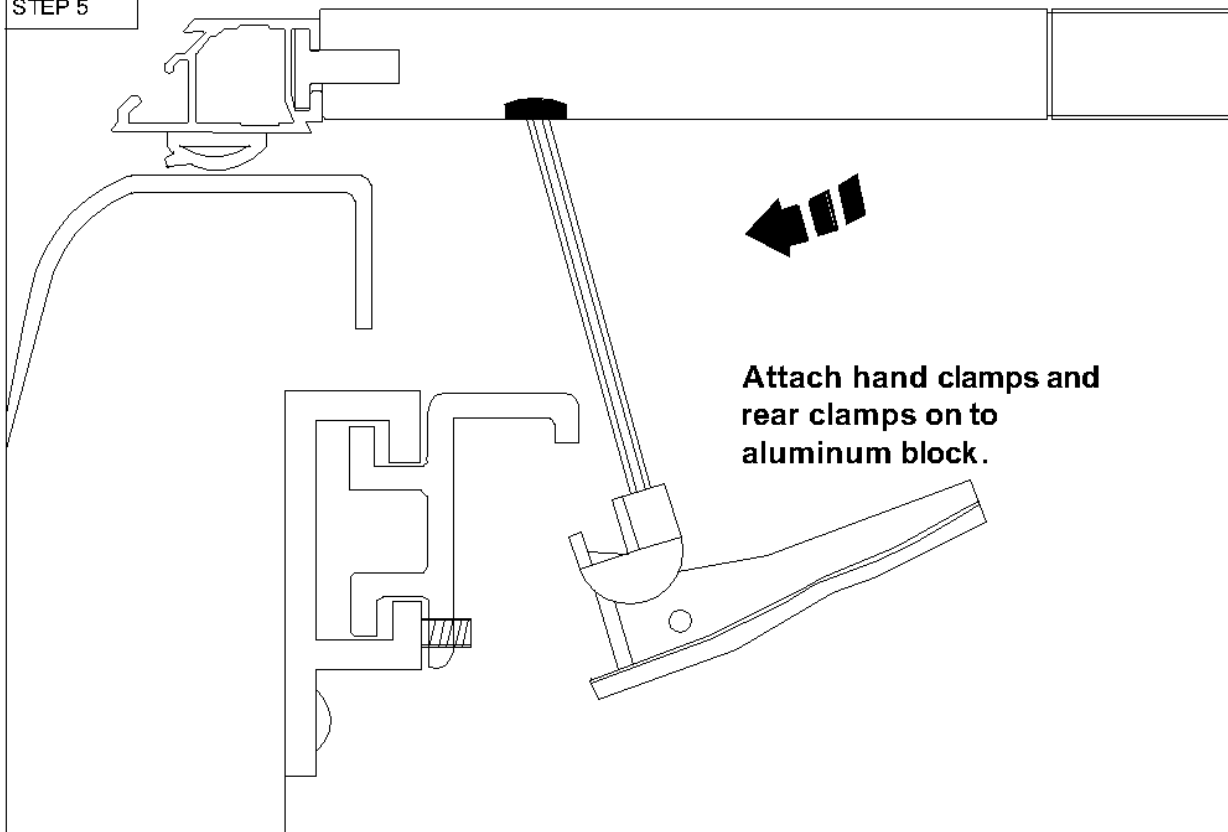


STEP 4



Slide aluminum blocks into track.

STEP 5



Attach hand clamps and rear clamps on to aluminum block.