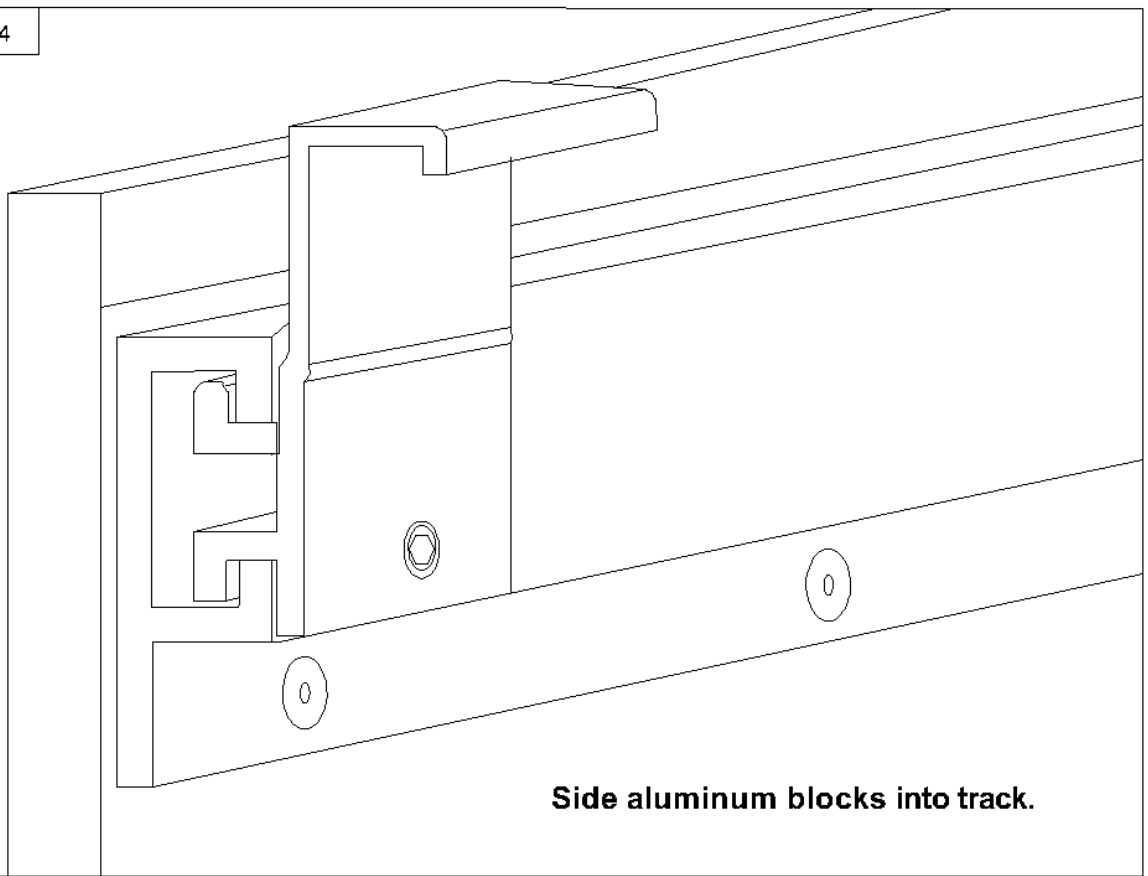
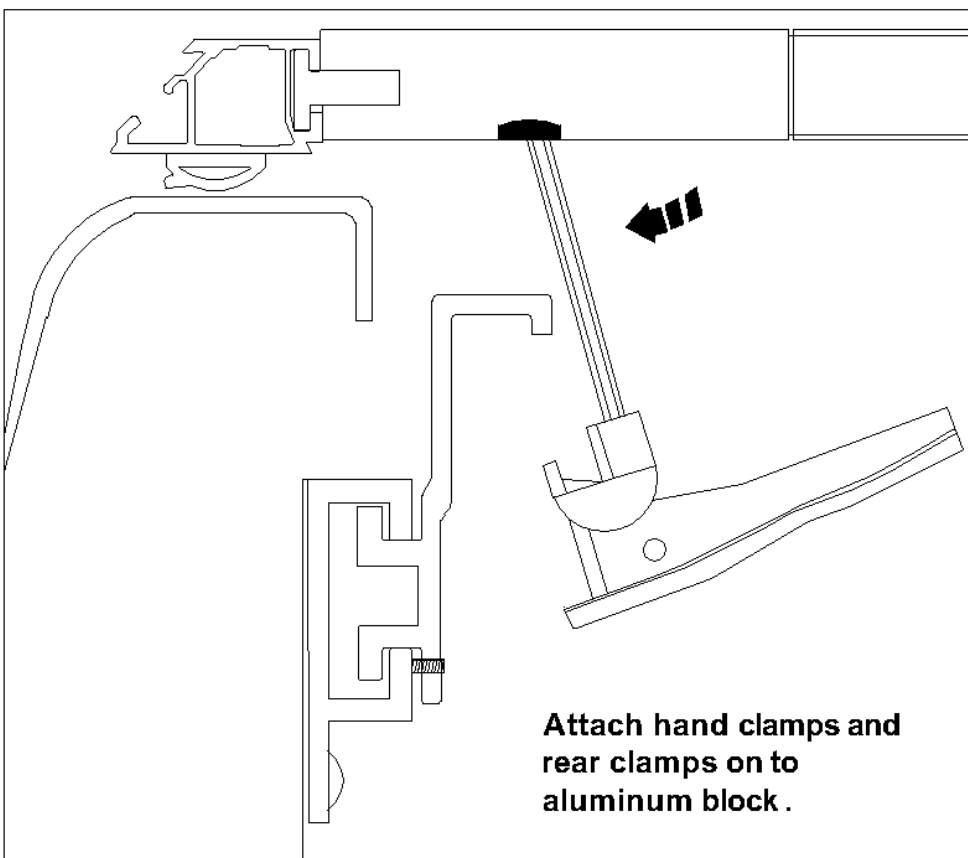


STEP 4



Side aluminum blocks into track.

STEP 5



Attach hand clamps and rear clamps on to aluminum block .