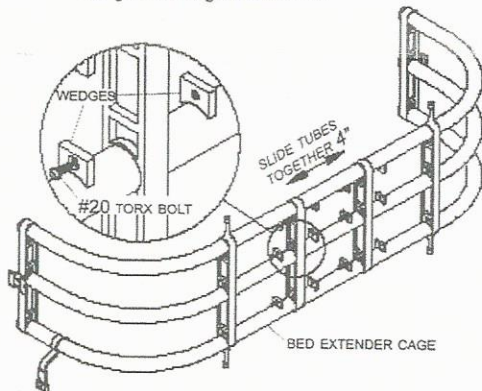


TONNO PRO

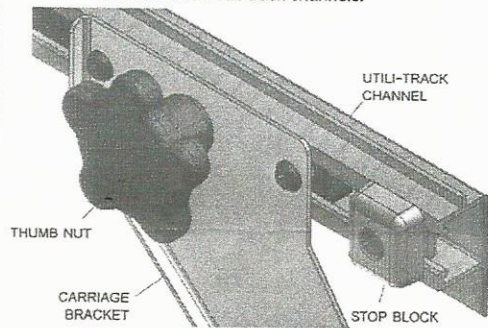
#LR-4091

2004- 2011 Nissan Titan Bed Extender System

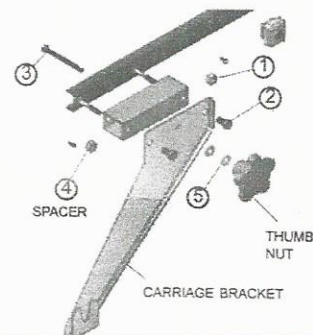
STEP 1: Adjust Width of Bed Extender Cage: Open tailgate and remove bed extender cage. Measure and record width of cage. Using a #20 torx wrench, loosen torx bolts from wedges. Pry wedges loose and slide tubes together, so that cage is 4" narrower than it was originally. Replace wedges and retighten torx bolts.



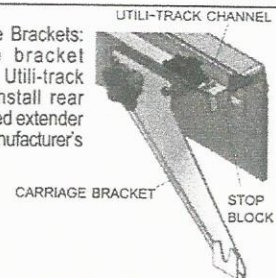
STEP 2: Remove Stop Blocks & Carriage Brackets: Remove stop blocks. Loosen thumb nut and remove carriage brackets from Utili-track channels.



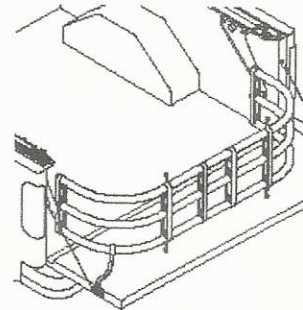
STEP 3: Install Spacers: Disassemble carriage brackets. Re-assemble as shown.



STEP 4: Replace Carriage Brackets: Slide carriage bracket assemblies into Utili-track channels. Re-install rear stop blocks and bed extender cage, following manufacturer's instructions.



STEP 5: Final Adjustments: Rotate bed extender cage to rest on tailgate. Adjust length of safety strap and re-fasten to tailgate. Make sure all bolts are tightened, and bed extender operates correctly.



Contents

1. Nylon Lock Nut, 7/16"
2. Cap Screw, 7/16" x 3/4"
3. Cap Screw, Metric, M8 x 1.25 x 90mm
4. Tube Spacer
5. Flat Washer, 5/16"

888-477-3729
www.Tonnopro.com