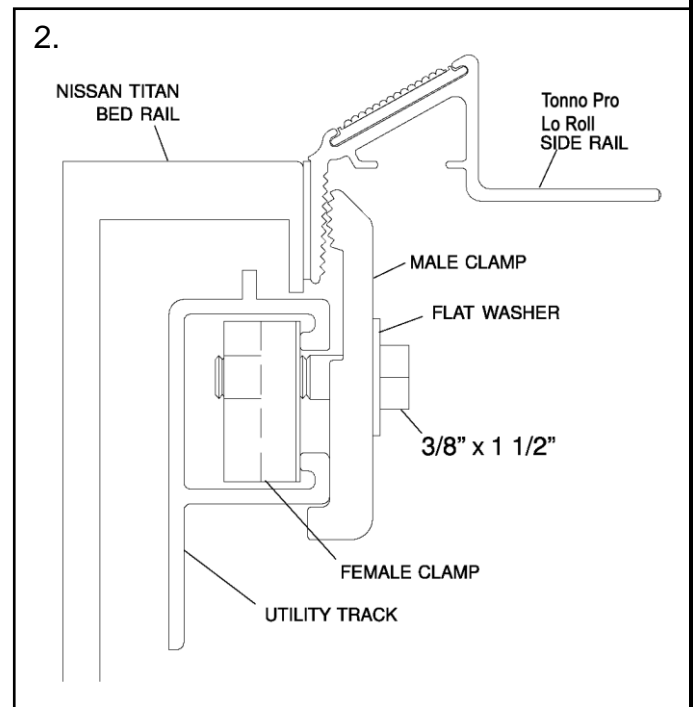
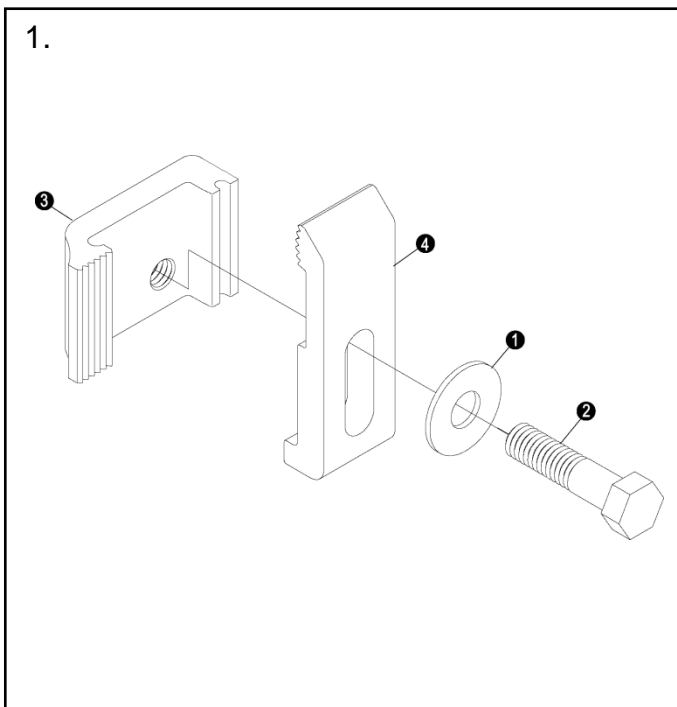


TONNO PRO

#LR-4093

2004-13 Nissan Titan with Utility Track System

(For Titan Trucks without Utility Track Follow General Installation Instructions)



Contents

1 (6) Washers

2 (6) Hex Head Bolts

2 (6) Female Clamps

4 (6) Male Clamps

STEP 1 – Insert clamp assemblies in the utility track channel.

STEP 2 – Place 3 on the driver side and 3 on the passenger side of the vehicle. Evenly space and fasten the male clamps to the female clamps. ***Keep brackets loose in order to install side rails.***

STEP 3 – See General Instruction Manual for side rail placement.