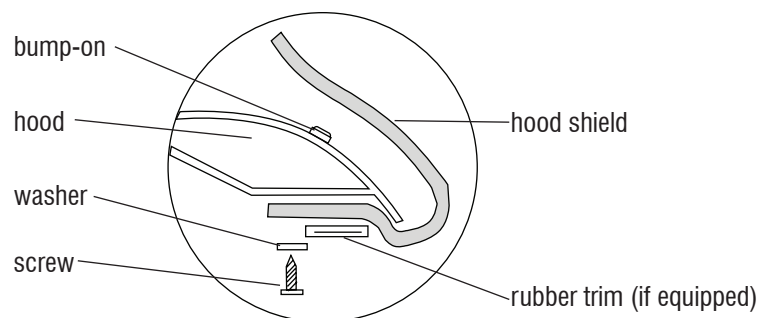
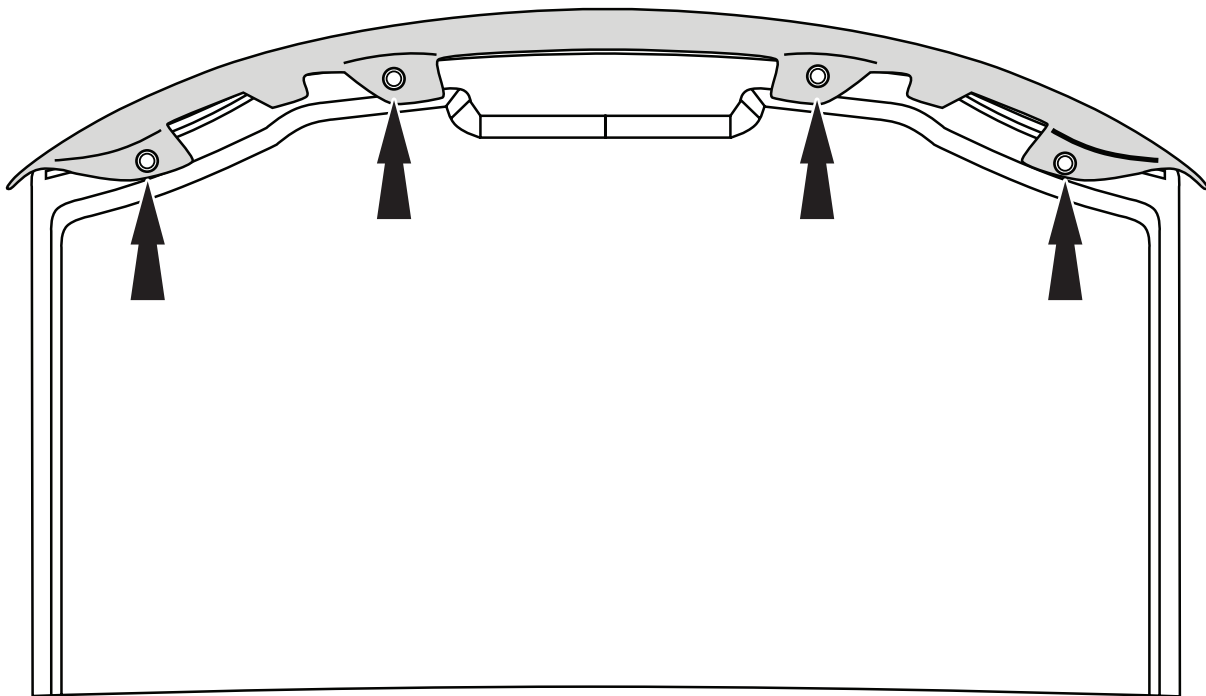


1. Open Hood.
2. Clean hood shield mounting location with alcohol pad.
3. Expose 2" (5 cm) of tape liner from each end of the flanges on the hood shield.
4. Center part on front edge of hood. If necessary slide flanges under rubber trim.
5. Remove remainder of tape liners. Apply strong pressure at all contact points for proper adhesion.
6. Secure with (4) self tapping screws through hood shield into sheet metal. **NOTE:** Use caution not to push too hard on self tapping screw and puncture outer hood surface! **NOTE:** Toyota Camry and Pontiac Sunfire have only (2) screw mounting locations.
7. Close hood.
8. Apply bump ons to surface of hood.



IMPORTANT: Before driving, ensure the hood shield is properly secured to vehicle. Clean with a **SOFT** cloth and soap and water **ONLY!** Using abrasive cleaners, chemicals, or solvents will **VOID** the warranty on this product.