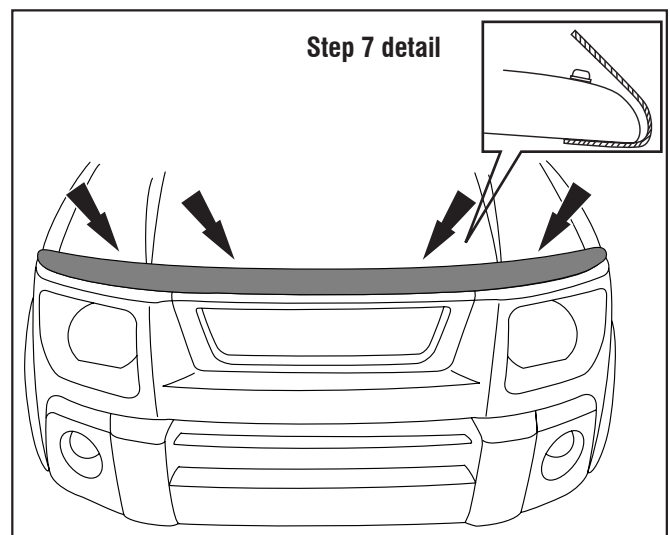
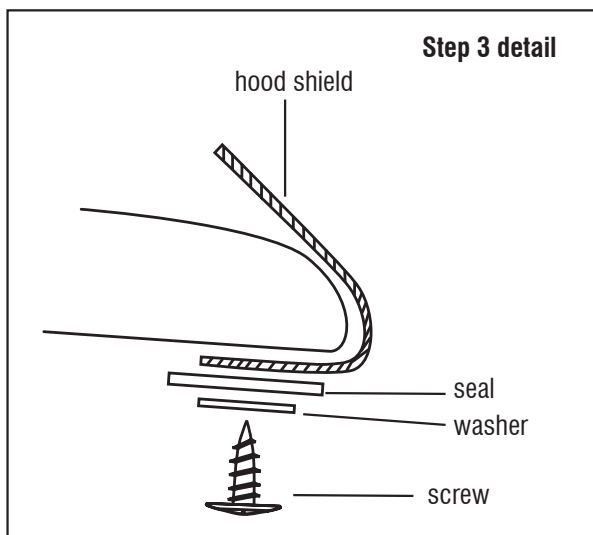
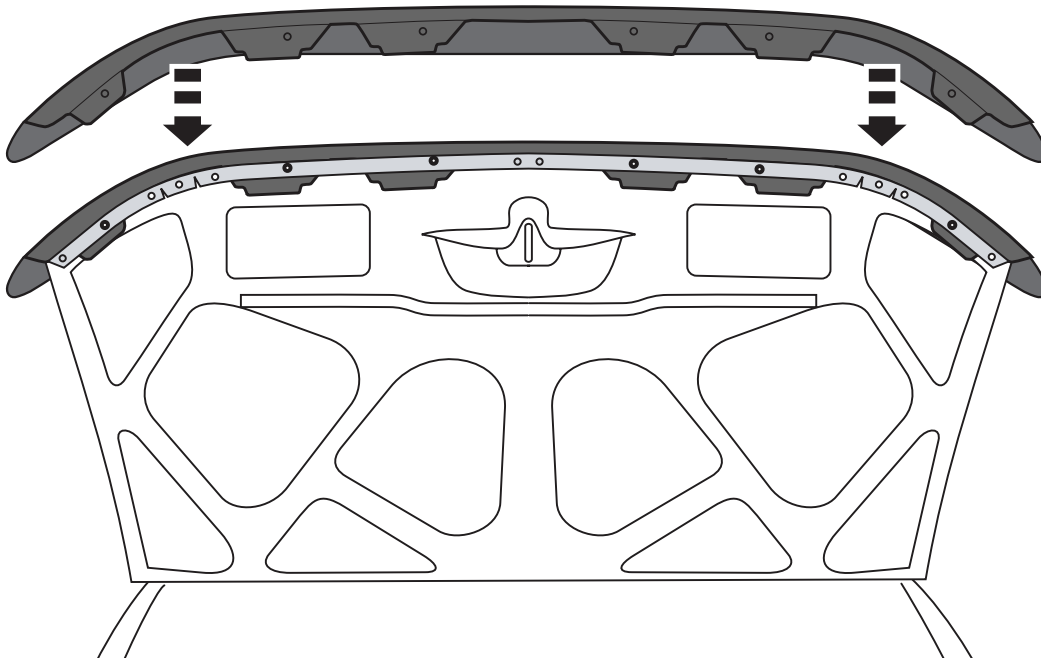


1. Remove (6) plastic seal retaining fasteners that align with the pre-drilled holes in the hood shield. Next, carefully separate the hood seal / gasket from the areas of the hood that align with the hood shield flange. **NOTE: Exercise extreme caution not to tear or damage the hood seal / gasket when separating from hood.**
2. Reposition the hood shield with the tabs sliding between the hood and rubber seal and align with holes.
3. Install (6) screws with washers. (See detail below.)
4. Tighten all (6) screws until snug to secure hood shield to hood.
5. Turn both of the hood bumpers counter clockwise 1 1/2 turns.
6. Close Hood.
7. Apply bump ons to surface of hood. (See detail below.)



IMPORTANT: Before driving, ensure the hood shield is properly secured to vehicle. Clean with a **SOFT** cloth and soap and water **ONLY!** Using abrasive cleaners, chemicals, or solvents will **VOID** the warranty on this product.