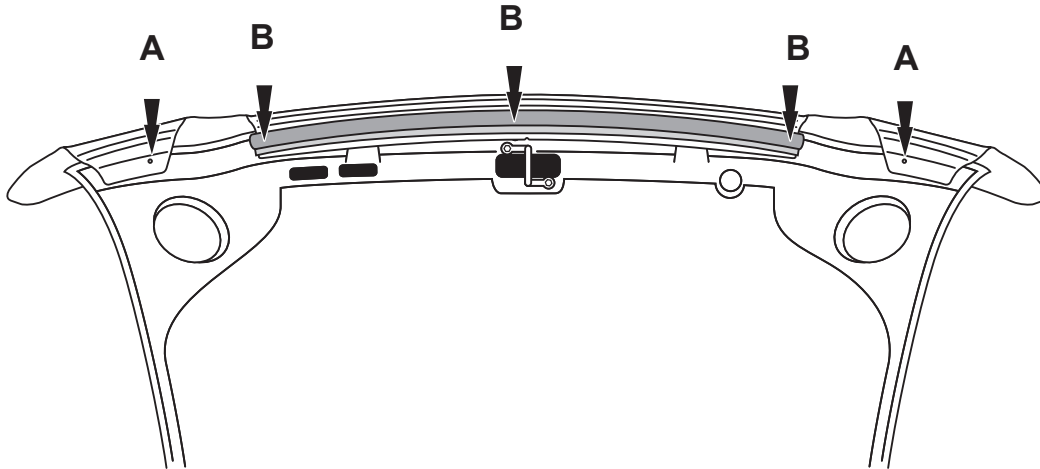
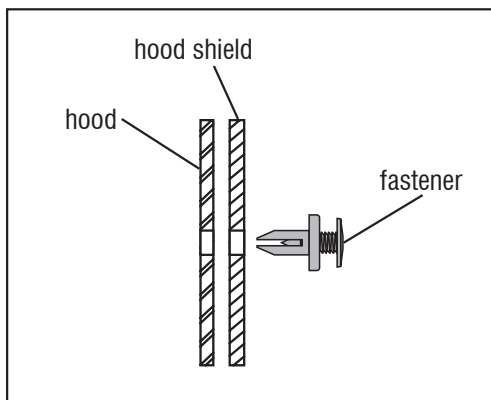


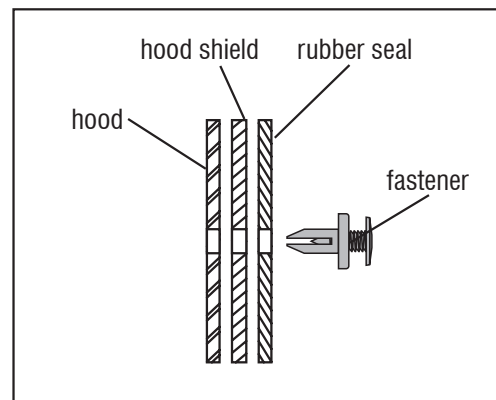
1. Raise the hood. Locate rubber seal and carefully remove from hood.
2. Set the hood shield in place.
3. Secure the hood shield to the hood at the ends with (2) fasteners using attachment method A. Set the rubber seal back in place over the hood shield and insert the (3) remaining screw fasteners using attachment method B. (See detail below.)
4. To reduce vibration, adhere bump-ons at precleaned locations on the hood surface where the hood shield may contact.



**Method A**



**Method B**



**IMPORTANT:** Before driving, ensure the hood shield is properly secured to vehicle. Clean with a **SOFT** cloth and soap and water **ONLY!** Using abrasive cleaners, chemicals, or solvents will **VOID** the warranty on this product.